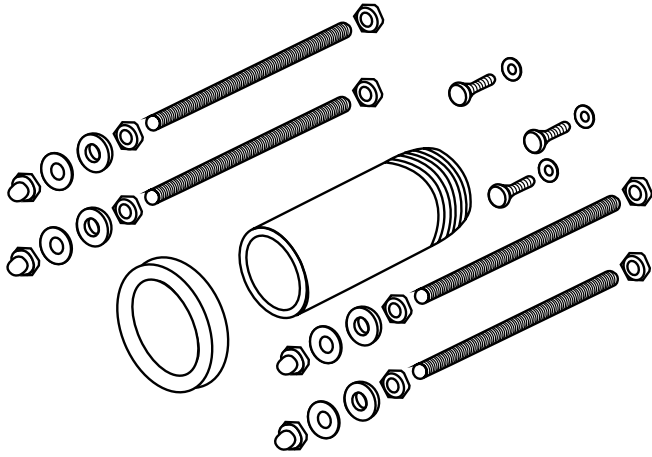


# TRIM PACKAGE FOR STARTER FITTINGS

## EZS 24

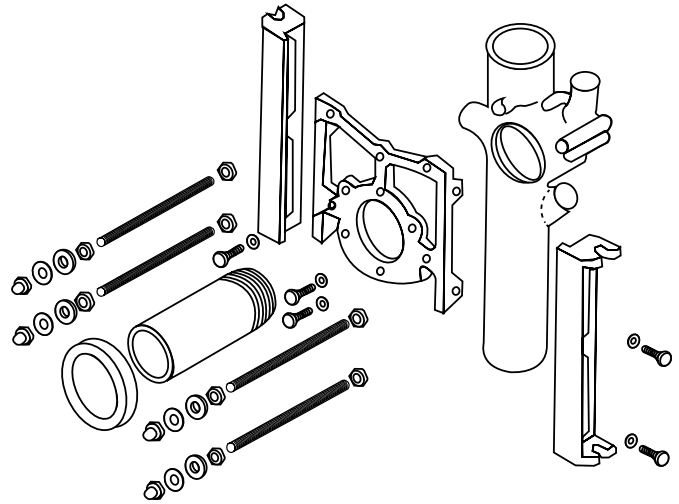
### TRIM PACKAGE, WALL-HUNG BACK-OUTLET ASSEMBLY (to be used with PART NO. EZS 22 support frame assembly)

- 1 — 4" PVC Sch. 80 NIPPLE with TEST CAP
- 1 — BOWL GASKET
- 4 — 5/8" X 12" RODS
- 4 — 5/8" CHROME CAP NUTS
- 8 — 5/8" JAM NUTS
- 4 — 5/8" FLAT WASHERS
- 4 — 5/8" FIBER WASHERS
- 3 — 3/8" X 1 1/2" BOLTS FOR FACEPLATE
- 3 — 3/8" FLAT WASHERS
- 4 — 5/8" STAR WASHERS



## EZS 22 AND EZS 24 INSTALLATION INSTRUCTIONS

1. IDENTIFY THE MAJOR COMPONENTS OF THE EZS 24 TRIM PACKAGE AND EZS 22 SUPPORT FRAME.
2. SECURE EZS 22 SUPPORT FRAME TO INSTALLED STARTER FITTING USING 3/8" X 1 1/2" BOLTS AND 3/8" FLAT WASHERS.
3. SECURE RIGHT AND LEFT LEGS TO THE EZS 22 FACEPLATE USING 1/2" X 1 1/4" BOLTS AND 1/2" FLAT WASHERS IN POSITION SHOWN TO THE RIGHT.
4. ADJUST ASSEMBLY TO THE DESIRED HEIGHT. LEVEL AND ALIGN THE ASSEMBLY.
5. SECURE THE FEET OF THE EZS 22 SUPPORT FRAME TO THE FLOOR USING THE 1/2" X 1 1/4" BOLTS SUPPLIED.
6. SECURE SUPPORT LEG. FOR DOUBLE STARTER FITTINGS, THE SUPPORT LEG IS NOT REQUIRED.
7. SECURE 5/8" X 12" EZS 24 THREAD RODS TO FACEPLATE ACCORDING TO EZS 22 FACEPLATE.
8. INSTALL EZS 24 THREADED NIPPLE TO THE EZS 700 OR EZS 800 FITTING.



## EZS 23

### TRIM PACKAGE, FLOOR-MOUNTED BACK-OUTLET ASSEMBLY (note: not to be used with PART NO. EZS 22 support frame assembly)

- 1 — 4" PVC Sch. 80 NIPPLE with TEST CAP
- 1 — BOWL GASKET
- 2 — 5/16" X 12" RODS
- 2 — 5/16" HEX NUTS
- 2 — 5/16" FLAT WASHERS
- 2 — 5/16" CAP NUTS

